

SIZE	NOMINAL AIRFLOW		A in. (mm)	QTY OF BLOWERS	HP	ECM MOTOR		
	CFM	l/s				TOTAL AMPS		
						115V	208/240V	277V
02	200	94	36 (914)	1	1/4	2.1	1.7	1.7
03	300	142	40 (1016)	1	1/4	2.4	1.9	1.9
04	400	189	46 (1168)	2	1/4	2.7	1.8	1.7
06	600	283	52 (1321)	2	1/4	3.5	2.3	2.3
08	800	378	60 (1524)	2	1/4	3.5	2.3	2.3
10	1000	472	72 (1829)	4	1/4 X 2	6.0	3.9	3.7
12	1200	566	80 (2032)	4	1/4 X 2	7.0	4.6	4.6



**NOTE:**

1. ACTUAL NAMEPLATE AMPS MAY VARY BUT WILL NOT EXCEED VALUES SHOWN
2. RH CONTROLS AND COIL SHOWN, HANDING DETERMINED BY LOOKING AT INLET
3. OPPOSITE HAND COIL AND ELECTRICAL ENCLOSURE AVAILABLE

ALL METRIC DIMENSIONS ( ) ARE SOFT CONVERTED. IMPERIAL DIMENSIONS ARE CONVERTED TO METRIC AND ROUNDED TO THE NEAREST MILLIMETER.

PROJECT:		<b>PRICE</b>
ENGINEER:	<i>TW</i>	
CUSTOMER:	<b>274878</b>	<b>FAN COIL FCH-2-1 FAN COIL HORIZONTAL REAR RETURN EXPOSED</b>
SUBMITTAL DATE:	2022/12/05	
SPEC. SYMBOL:		

**STANDARD CONSTRUCTION:**

- 18 GA. GALVANIZED STEEL POWDER COATED CASING
- GALVANIZED HARDWARE
- STAMPED LOUVER DISCHARGE AND RETURN GRILLES
- 1/2" THROUGH BOLT HOLE FOR HANGING
- ELECTRONICALLY COMMUTATED MOTOR (ECM)
- 1" MERV 8 PLEATED FILTER
- INTERNAL INSULATION - FIBERGLASS 1/2" (13mm) THICK

**WATER COILS:**

- WATER COIL EQUIPPED WITH GALVANIZED STEEL DRAIN PAN EXTERNALLY INSULATED WITH FIBER FREE FOAM
- 3/4" NPT DRAIN CONNECTION
- COILS - 1/2" O.D. COPPER TUBES, ALUMINUM SINE WAVE FINS, 5/8" O.D. CONNECTIONS
- 1 OR 2 ROW HEATING (PRE/REHEAT), 2,3,4,5 ROW COOLING, UP TO 7 TOTAL ROWS

**UNIT OPTIONS:**

**ELECTRICAL:**

- 24V TRANSFORMER
- DISCONNECT SWITCH
- MOTOR FUSING
- CONTROL CIRCUIT FUSING

**ACCESSORIES:**

- STAINLESS STEEL DRAIN PAN
- SECONDARY DRAIN
- OVERFLOW SAFETY SWITCH
- FIBER FREE FOAM LINER, 1/2" (13mm)
- 1" MERV 13 PLEATED FILTER

- 3 SPEED PROGRAM (ECM ONLY)
- MODULATING PROGRAM (ECM ONLY)
- FACTORY MOUNTED VALVE PACKAGE

**VALVE PACKAGE:**

**TCV TYPE:**

- 2 WAY
- 3 WAY

**CONTROL TYPE:**

- ON-OFF
- FLOAT
- MODULATING

**RETURN SIDE VALVE:**

- AUTOMATIC BALANCING VALVE

**SOURCE SIDE VALVE:**

- Y-STRAINER W/ BLOWDOWN AND PT PORTS

**COIL CONFIGURATION:**

**COOLING ONLY:**

- 1 ROW
- 2 ROW
- 3 ROW
- 4 ROW
- 5 ROW


**REHEAT (C/H):**

- 2/1 ROW
- 2/2 ROW
- 3/1 ROW
- 3/2 ROW
- 4/1 ROW
- 4/2 ROW
- 5/1 ROW
- 5/2 ROW

**PREHEAT (H/C):**

- 1/2 ROW
- 2/2 ROW
- 1/3 ROW
- 2/3 ROW
- 1/4 ROW
- 2/4 ROW
- 1/5 ROW
- 2/5 ROW

ALL METRIC DIMENSIONS ( ) ARE SOFT CONVERTED. IMPERIAL DIMENSIONS ARE CONVERTED TO METRIC AND ROUNDED TO THE NEAREST MILLIMETER.

PROJECT:		
ENGINEER:		
CUSTOMER:		
SUBMITTAL DATE:	SPEC. SYMBOL:	
		<i>TW</i> <b>274878</b> 2022/12/05
		<b>FAN COIL          FCH-2-1          FAN COIL HORIZONTAL          REAR RETURN          EXPOSED</b>

UNIT + COOLING COIL WEIGHT LBS (KG)							
ROW COOLING	SIZE						
	2	3	4	6	8	10	12
2 ROW	97 (44)	108 (49)	123 (56)	136 (62)	160 (73)	190 (86)	211 (96)
3 ROW	102 (46)	114 (52)	130 (59)	144 (65)	170 (77)	203 (92)	225 (102)
4 ROW	107 (49)	119 (54)	137 (62)	152 (69)	180 (82)	215 (98)	239 (108)
5 ROW	111 (50)	125 (57)	143 (65)	160 (73)	190 (86)	227 (103)	253 (115)

HOT WATER COIL WEIGHT LBS (KG)							
ROW HEATING	SIZE						
	2	3	4	6	8	10	12
1 ROW	3 (1)	4 (2)	5 (2)	6 (3)	7 (3)	8 (4)	9 (4)
2 ROW	7 (3)	8 (4)	10 (5)	12 (5)	14 (6)	17 (8)	20 (9)

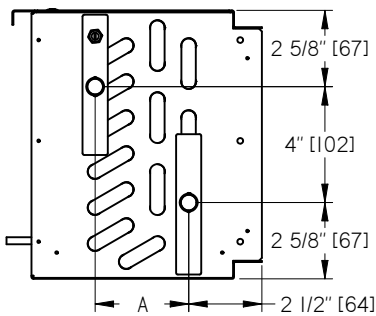
**NOTE: ALL COIL WEIGHTS ARE WET**

COOLING		REHEAT				PREHEAT			
ROWS	A in. (mm)	ROWS (CW/HW)	B in. (mm)	C in. (mm)	D in. (mm)	ROWS (HW/CW)	E in. (mm)	F in. (mm)	G in. (mm)
2	1 1/8 (29)	2/1	0	4 (102)	1 1/8 (29)	1/2	1 1/8 (29)	1 1/2 (38)	0
		3/1	0	4 (102)	2 1/8 (54)	1/3	2 1/8 (54)	2 1/2 (64)	0
3	2 1/8 (54)	4/1	0	4 (102)	3 1/4 (83)	1/4	3 1/4 (83)	3 5/8 (92)	0
		5/1	0	4 (102)	4 3/8 (111)	1/5	4 3/8 (111)	4 3/4 (121)	0
4	3 1/4 (83)	2/2	1 1/8 (29)	3 (76)	1 1/8 (29)	2/2	1 1/8 (29)	1 1/2 (38)	1 1/8 (29)
		3/2	1 1/8 (29)	3 (76)	2 1/8 (54)	2/3	2 1/8 (54)	2 1/2 (64)	1 1/8 (29)
5	4 3/8 (111)	4/2	1 1/8 (29)	3 (76)	3 1/4 (83)	2/4	3 1/4 (83)	3 5/8 (92)	1 1/8 (29)
		5/2	1 1/8 (29)	3 (76)	4 3/8 (111)	2/5	4 3/8 (111)	4 3/4 (121)	1 1/8 (29)

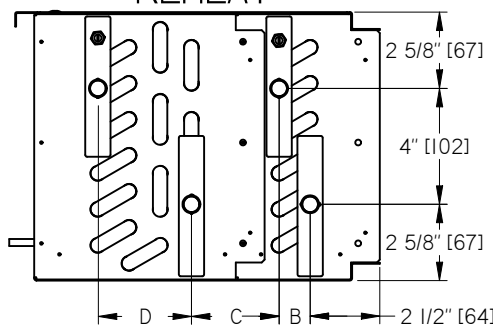
AIRFLOW



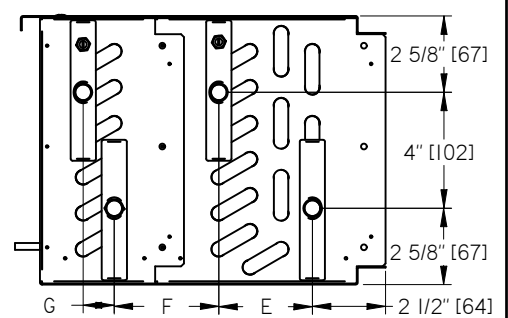
COOLING



REHEAT

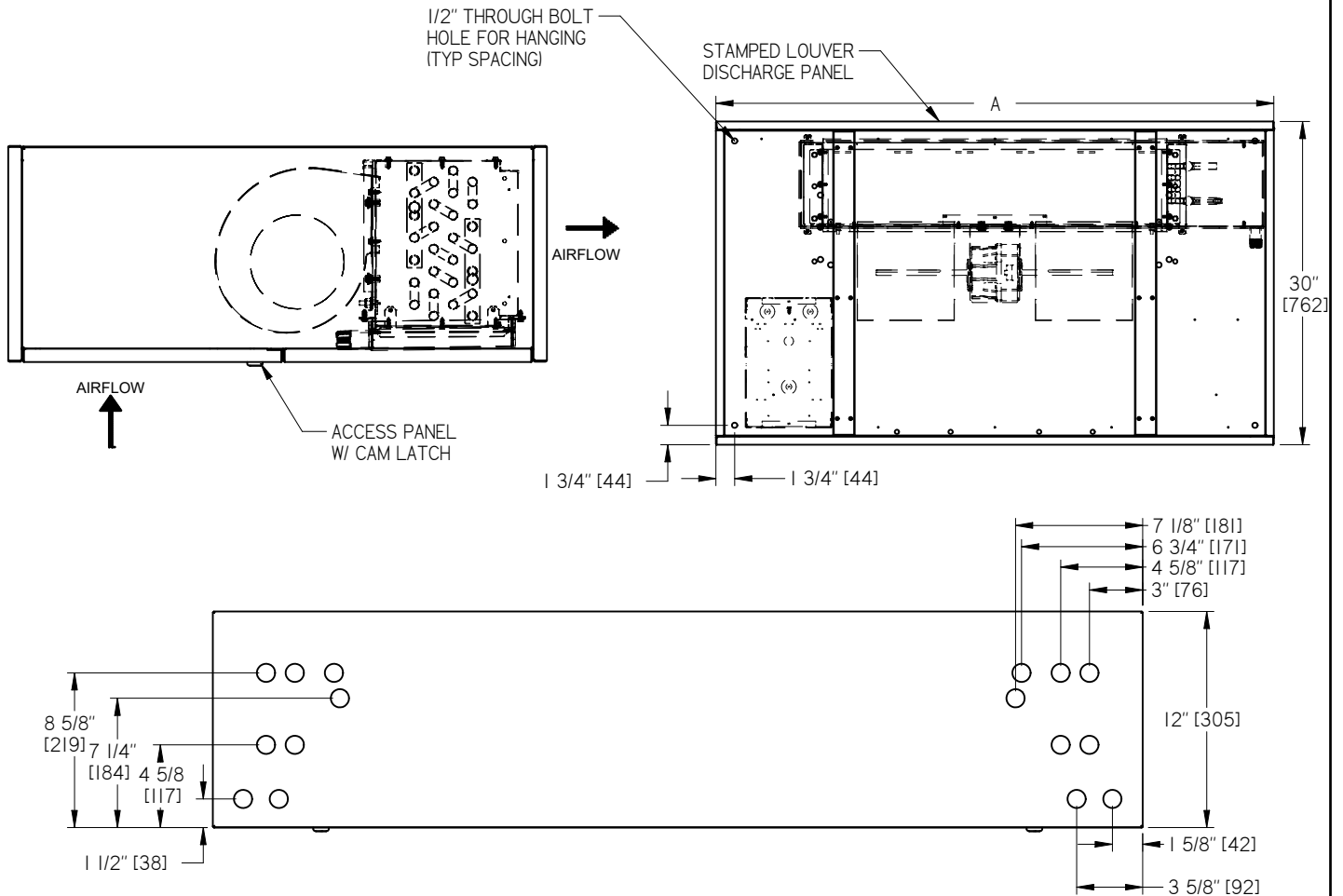


PREHEAT



ALL METRIC DIMENSIONS ( ) ARE SOFT CONVERTED. IMPERIAL DIMENSIONS ARE CONVERTED TO METRIC AND ROUNDED TO THE NEAREST MILLIMETER.

PROJECT:		<p><b>FAN COIL FCH-2-1 FAN COIL HORIZONTAL REAR RETURN EXPOSED</b></p>
ENGINEER:		
CUSTOMER:		
SUBMITTAL DATE:		
SPEC. SYMBOL:		<p><i>TW</i></p> <p><b>274878</b></p> <p>2022/12/05</p>



SIZE	NOMINAL AIRFLOW		A in. (mm)	QTY OF BLOWERS	HP	ECM MOTOR		
	CFM	l/s				TOTAL AMPS		
						115V	208/240V	277V
02	200	94	36 (914)	1	1/4	2.1	1.7	1.7
03	300	142	40 (1016)	1	1/4	2.4	1.9	1.9
04	400	189	46 (1168)	2	1/4	2.7	1.8	1.7
06	600	283	52 (1321)	2	1/4	3.5	2.3	2.3
08	800	378	60 (1524)	2	1/4	3.5	2.3	2.3
10	1000	472	72 (1829)	4	1/4 X 2	6.0	3.9	3.7
12	1200	566	80 (2032)	4	1/4 X 2	7.0	4.6	4.6



**NOTE:**

1. ACTUAL NAMEPLATE AMPS MAY VARY BUT WILL NOT EXCEED VALUES SHOWN
2. RH CONTROLS AND COIL SHOWN, HANGING DETERMINED BY LOOKING AT INLET
3. OPPOSITE HAND COIL AND ELECTRICAL ENCLOSURE AVAILABLE

ALL METRIC DIMENSIONS ( ) ARE SOFT CONVERTED. IMPERIAL DIMENSIONS ARE CONVERTED TO METRIC AND ROUNDED TO THE NEAREST MILLIMETER.

PROJECT:		<b>PRICE</b>
ENGINEER:	G	
CUSTOMER:	274879	FAN COIL FCH-2-1 FAN COIL HORIZONTAL BOTTOM RETURN EXPOSED
SUBMITTAL DATE:	SPEC. SYMBOL:	
	2022/12/05	

**STANDARD CONSTRUCTION:**

- 18 GA. GALVANIZED STEEL POWDER COATED CASING
- GALVANIZED HARDWARE
- STAMPED LOUVER DISCHARGE AND RETURN GRILLES
- 1/2" THROUGH BOLT HOLE FOR HANGING
- ELECTRONICALLY COMMUTATED MOTOR (ECM)
- 1" MERV 8 PLEATED FILTER
- INTERNAL INSULATION - FIBERGLASS 1/2" (13mm) THICK

**WATER COILS:**

- WATER COIL EQUIPPED WITH GALVANIZED STEEL DRAIN PAN EXTERNALLY INSULATED WITH FIBER FREE FOAM
- 3/4" NPT DRAIN CONNECTION
- COILS - 1/2" O.D. COPPER TUBES, ALUMINUM SINE WAVE FINS, 5/8" O.D. CONNECTIONS
- 1 OR 2 ROW HEATING (PRE/REHEAT), 2,3,4,5 ROW COOLING, UP TO 7 TOTAL ROWS

**UNIT OPTIONS:**

**ELECTRICAL:**

- 24V TRANSFORMER
- DISCONNECT SWITCH
- MOTOR FUSING
- CONTROL CIRCUIT FUSING

**ACCESSORIES:**

- STAINLESS STEEL DRAIN PAN
- SECONDARY DRAIN
- OVERFLOW SAFETY SWITCH
- FIBER FREE FOAM LINER, 1/2" (13mm)
- 1" MERV 13 PLEATED FILTER

- 3 SPEED PROGRAM (ECM ONLY)
- MODULATING PROGRAM (ECM ONLY)
- FACTORY MOUNTED VALVE PACKAGE

**VALVE PACKAGE:**

**TCV TYPE:**

- 2 WAY
- 3 WAY

**CONTROL TYPE:**

- ON-OFF
- FLOAT
- MODULATING

**RETURN SIDE VALVE:**

- AUTOMATIC BALANCING VALVE

**SOURCE SIDE VALVE:**

- Y-STRAINER W/ BLOWDOWN AND PT PORTS

**COIL CONFIGURATION:**

**COOLING ONLY:**

- 1 ROW
- 2 ROW
- 3 ROW
- 4 ROW
- 5 ROW



**REHEAT (C/H):**

- 2/1 ROW
- 2/2 ROW
- 3/1 ROW
- 3/2 ROW
- 4/1 ROW
- 4/2 ROW
- 5/1 ROW
- 5/2 ROW

**PREHEAT (H/C):**

- 1/2 ROW
- 2/2 ROW
- 1/3 ROW
- 2/3 ROW
- 1/4 ROW
- 2/4 ROW
- 1/5 ROW
- 2/5 ROW

ALL METRIC DIMENSIONS ( ) ARE SOFT CONVERTED. IMPERIAL DIMENSIONS ARE CONVERTED TO METRIC AND ROUNDED TO THE NEAREST MILLIMETER.

PROJECT:		
ENGINEER:		
CUSTOMER:		
SUBMITTAL DATE:		<b>274879</b>
SPEC. SYMBOL:		2022/12/05
		<b>FAN COIL FCH-2-1 FAN COIL HORIZONTAL BOTTOM RETURN EXPOSED</b>

UNIT + COOLING COIL WEIGHT LBS (KG)							
ROW COOLING	SIZE						
	2	3	4	6	8	10	12
2 ROW	97 (44)	108 (49)	123 (56)	136 (62)	160 (73)	190 (86)	211 (96)
3 ROW	102 (46)	114 (52)	130 (59)	144 (65)	170 (77)	203 (92)	225 (102)
4 ROW	107 (49)	119 (54)	137 (62)	152 (69)	180 (82)	215 (98)	239 (108)
5 ROW	111 (50)	125 (57)	143 (65)	160 (73)	190 (86)	227 (103)	253 (115)

HOT WATER COIL WEIGHT LBS (KG)							
ROW HEATING	SIZE						
	2	3	4	6	8	10	12
1 ROW	3 (1)	4 (2)	5 (2)	6 (3)	7 (3)	8 (4)	9 (4)
2 ROW	7 (3)	8 (4)	10 (5)	12 (5)	14 (6)	17 (8)	20 (9)

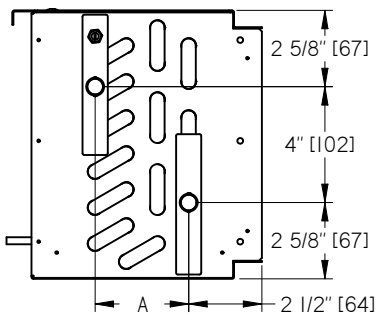
**NOTE: ALL COIL WEIGHTS ARE WET**

COOLING		REHEAT				PREHEAT			
ROWS	A in. (mm)	ROWS (CW/HW)	B in. (mm)	C in. (mm)	D in. (mm)	ROWS (HW/CW)	E in. (mm)	F in. (mm)	G in. (mm)
2	1 1/8 (29)	2/1	0	4 (102)	1 1/8 (29)	1/2	1 1/8 (29)	1 1/2 (38)	0
		3/1	0	4 (102)	2 1/8 (54)	1/3	2 1/8 (54)	2 1/2 (64)	0
3	2 1/8 (54)	4/1	0	4 (102)	3 1/4 (83)	1/4	3 1/4 (83)	3 5/8 (92)	0
		5/1	0	4 (102)	4 3/8 (111)	1/5	4 3/8 (111)	4 3/4 (121)	0
4	3 1/4 (83)	2/2	1 1/8 (29)	3 (76)	1 1/8 (29)	2/2	1 1/8 (29)	1 1/2 (38)	1 1/8 (29)
		3/2	1 1/8 (29)	3 (76)	2 1/8 (54)	2/3	2 1/8 (54)	2 1/2 (64)	1 1/8 (29)
5	4 3/8 (111)	4/2	1 1/8 (29)	3 (76)	3 1/4 (83)	2/4	3 1/4 (83)	3 5/8 (92)	1 1/8 (29)
		5/2	1 1/8 (29)	3 (76)	4 3/8 (111)	2/5	4 3/8 (111)	4 3/4 (121)	1 1/8 (29)

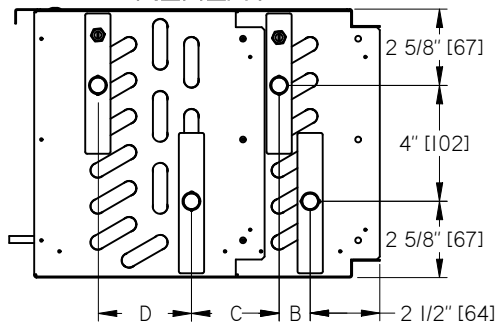
AIRFLOW



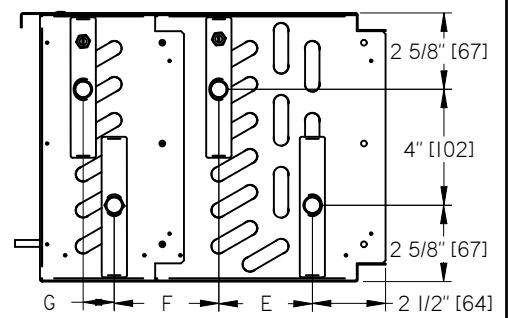
COOLING



REHEAT



PREHEAT



ALL METRIC DIMENSIONS ( ) ARE SOFT CONVERTED. IMPERIAL DIMENSIONS ARE CONVERTED TO METRIC AND ROUNDED TO THE NEAREST MILLIMETER.

PROJECT:

ENGINEER:

CUSTOMER:

SUBMITTAL DATE:

SPEC. SYMBOL:



GH

274879

2022/12/05

**FAN COIL  
FCH-2-1  
FAN COIL HORIZONTAL  
BOTTOM RETURN  
EXPOSED**

Solid Edge